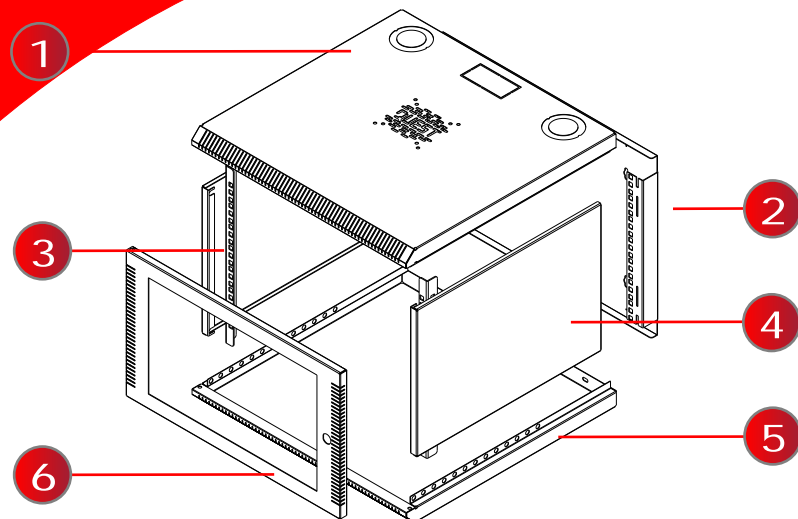




ASSEMBLY & MOUNTING INSTRUCTIONS



Parts Description

ITEM	DESCRIPTION	QTY
1	Top Panel	1
2	Rear Panel	1
3	Rails	2
4	Side Panels	2
5	Bottom Panel	1
6	Front door	1



Assembly required



Fan



Tools required



Screws Included

Required Tools



1/4" Wrench or Adjustable Wrench



Phillips Screwdriver

Hardware Provided

DESCRIPTION	QTY
1/4" Nuts	4
10/32" Oval Head Phillips Screws	8
Galvanized Washers 3/16"	4
12x1 1/2" Round Head Screws	4
12-24 Equipment Screws 7 RMS	28
12-24 Equipment Screws 9 RMS	36
12-24 Equipment Screws 11 RMS	44





1



Place the rear panel in position to be mounted and mark mounting holes. (Special consideration to weight load should be taken).

2



Place rear mounting panel on flat surface and install top and bottom panels by tightening the nuts on the pre-installed rear panel bolts using a 1/4" open-end or adjustable wrench.

3



Pre-position for desired equipment depth and install left and right equipment mounting rails by tightening supplied screws in upper and lower mounting holes.

4



Install the left and right side panels by sliding them from front to rear ensuring that the tab aligns with the notch on the rear rails. Once in place, tighten the supplied mounting screws.

5



Install the front door by aligning with the corresponding side panel (left or right hand opening). Pull the spring-loaded mounting pins down and align with the pin holes in the upper and lower panels and slide in place.

NOTE: Before final installation of front door, please remove foam strip from hinged side

Mount enclosure to the wall.



EASY MODULAR ASSEMBLY & MOUNTING INSTRUCTIONS

EASY MODULAR ASSEMBLY & MOUNTING INSTRUCTIONS